

**GROUP 200
GATE VALVES
MOD. 201A/51**



**DAVINCI
VALVES™**

**TECHNICAL
DATA SHEET**

FIRE Series

**SYSTEM UL/FM
RISING STEM FLANGED ENDS 300PSI**

**DAVINCI
VALVES™**



**QUALITY
ASSUREMENT**

**DAVINCI
VALVES™**



**PRODUCT QT
ASSUREMENT**

**DAVINCI
VALVES™**



**COMPANY QT
ASSUREMENT**

www.davincivalves.com

18 Dongyu Street, Square One,
11th Floor 1101, Jinjiang District,
Chengdu, Sichuan CHINA

10F/Tower A, Billion Center,
1 Wang Kwong Road, Kowloon Bay
Kowloon HONG KONG

RESILIENT SEAT GATE VALVE NON RISING STEM FLANGED END 300PSI FIRE SYSTEMS Ref.201A / 300PSI

GENERAL CHARACTERISTICS:

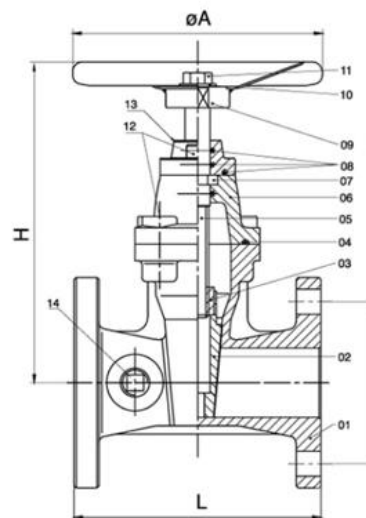
Range from ND50 up to ND300.
Full bore.
100% Tightness in both ways.
Minimum head loss.
Low torque values.
Epoxy paint 250 microns

WORKING CONDITIONS:

Pressure Ratings: 300PSI
Working Temperature: -10C +100C
Suitable Media: Water
Consult for other applications

STANDARDS:

Design: AWWA515
Flange standard: ASME/ANSIB16.1 Class 125 or
ASME/ANSI B16.42 Class 150 or BS EN1092-2
PN16 or GB/T9113.1
Pressure Test: EN 12266-1 Rate A.
EU directive 2014/68/EU



ITEM	2-1/2"	3"	4"	5"	6"	8"	10"	12"
L	190	203	229	254	267	292	330	356
H	289	326	355	410	455	558	648	745
φA	220	250	280	300	350	380	450	450

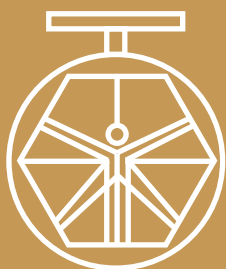
ITEM	PART	MATERIAL	ITEM	PART	MATERIAL
1	Body	DI GJS450	8	O-ring	EPDM
2	Disc	DI GJS450 + EPDM	9	Handwheel	Steel
3	Nut	BRONZE ASTM B62	10	Flat Gasket	Steel
4	Gasket	EPDM	11	Bolts	Steel
5	Stem	AISI420	12	Countersunk Head Bolt	Steel
6	Cap	GJS450	13	Platen	DI GJS450
7	Retainer Ring	C95400	14	Plug	C95400

All the components can be substituted with equivalent or higher-class materials.

DAVINCI VALVES LTD, is constantly looking at all ways of improving our products and services related to the water, fire and industry sector and therefore we reserve the right to change, without prior notice, any of the data contained here. Please contact our Technical Sales Department for detailed advice.
© 2018 DAVINCI VALVES LTD.

www.davincivalves.com info@davincivalves.com +34 616553797 / +86 17340168233
18 Dongyu Street, Square One 11th Floor 1101. Jinjiang District, Chengdu, Sichuan Province, China

"For professionals who wants more"



DAVINCI
VALVES™