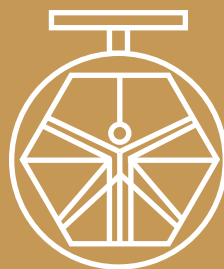


**GROUP 400  
CHECK  
VALVES  
MOD. 411/29**



**DAVINCI  
VALVES™**

**TECHNICAL  
DATA SHEET**

**FIRE Series**

**SWING CHECK VALVES  
SYSTEM UL/FM  
FLANGED ENDS**

**DAVINCI  
VALVES™**



**QUALITY  
ASSUREMENT**

**DAVINCI  
VALVES™**



**PRODUCT QT  
ASSUREMENT**

**DAVINCI  
VALVES™**



**COMPANY QT  
ASSUREMENT**

[www.davincivalves.com](http://www.davincivalves.com)

18 Dongyu Street, Square One,  
11th Floor 1101, Jinjiang District,  
Chengdu, Sichuan CHINA

10F/Tower A, Billion Center,  
1 Wang Kwong Road, Kowloon Bay  
Kowloon HONG KONG

## SWING CHECK VALVE FLANGED END 300PSI UL/FM FOR FIRE SYSTEMS

**Ref.411A / 300PSI**

### STANDARDS:

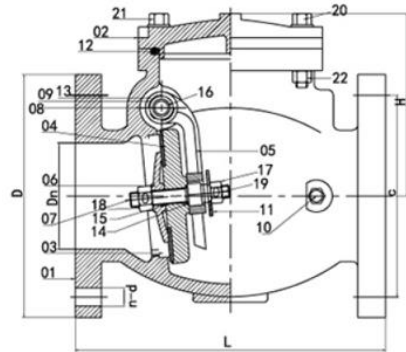
Design: AWWA C508  
 Flange standard: ASME/ANSIB16.1 Class 125 or  
 ASME/ANSI B16.42 Class 150 or BS EN1092-2 PN16  
 or GB/T9113.1

### GENERAL CHARACTERISTICS:

Range from ND50 up to ND300.  
 Epoxy paint inside & Outside 250 microns

### WORKING CONDITIONS:

Pressure Ratings: 350PSI  
 Working Temperature: -10C +100C  
 Suitable Media: Water



Size	2"	2-1/2"	3"	4"	5"	6"	8"	10"	12"
Dn	51	64	80	100	126	152	204	254	302
L	203	216	241	292	330	356	495	622	698
D	152	178	191	229	254	274	343	406	483
c	120.5	139.5	152.5	190.5	216	241.5	298.5	362	432
n-d	4-19	4-19	4-19	8-19	8-22	8-22	8-22	12-25	12-25
H	142	148	163.5	172	237	233	301	348	419

No.	Part	Material	Remark
1	Body	ASTM A536 65-45-12	
2	Bonnet	ASTM A536 65-45-12	
3	Seat Ring	ASTM A148 C95400	
4	Disc	ASTM A536 65-45-12	
5	Rocker Arm	ASTM A536 65-45-12	
6	Baffle Plate	ASTM A148 C95400	
7	Middle Plate	ASTM A276 SS304	
8	Pinned Stem	ASTM A276 SS304	
9	Bracket Screw	ASTM A276 SS304	Not shown in drawing
10	Plug	ASTM A148 C95400	
11	Gasket	ASTM A276 SS304	
12	O-Ring(large)	ASTM D2000 EPDM	
13	O-Ring (for bracket screw)	ASTM D2000 EPDM	Not shown in drawing
14	O-Ring (for mid stem)	ASTM D2000 EPDM	
15	O-Ring (for mid stem small)	ASTM D2000 EPDM	
16	Bronze bushing	powder metallurgy	Not shown in drawing
17	SS304 Outer Hexagon Nut M12	ASTM A276 SS304	
18	SS304 Outer Hexagon Nut M12	ASTM A276 SS304	
19	SS304 Cotter Pin 4*55	ASTM A276 SS304	

All the components can be substituted with equivalent or higher-class materials.

DAVINCI VALVES LTD, is constantly looking at all ways of improving our products and services related to the water, fire and industry sector and therefore we reserve the right to change, without prior notice, any of the data contained here. Please contact our Technical Sales Department for detailed advice.  
 © 2018 DAVINCI VALVES LTD.

www.davincivalves.com info@davincivalves.com +34 616553797 / +86 17340168233  
 18 Dongyu Street, Square One 11th Floor 1101. Jinjiang District, Chengdu, Sichuan Province, China

*"For professionals who wants more"*



DAVINCI  
VALVES™