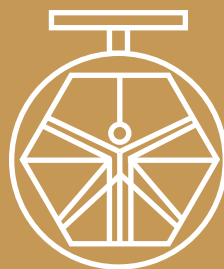


**GRUPO 200
VÁLVULA DE
COMPUERTA
MOD. 241A/53**



**DAVINCI
VALVES™**

**TECHA
TECNICA**

FIRE Series

**VÁLVULA DE COMPUERTA
DE CIERRE ELÁSTICO
HUSILLO ASCENDENTE
RANURADA**

**DAVINCI
VALVES™**



**QUALITY
ASSUREMENT**

**DAVINCI
VALVES™**



**PRODUCT QT
ASSUREMENT**

**DAVINCI
VALVES™**



**COMPANY QT
ASSUREMENT**

www.davincivalves.com

18 Dongyu Street, Square One,
11th Floor 1101, Jinjiang District,
Chengdu, Sichuan CHINA

10F/Tower A, Billion Center,
1 Wang Kwong Road, Kowloon Bay
Kowloon HONG KONG

RESILIENT SEAT GATE VALVE RISING STEM GROOVE ENDS 300PSI UL / FM FIRE SYSTEMS Ref.241A / 300PSI

GENERAL CHARACTERISTICS:

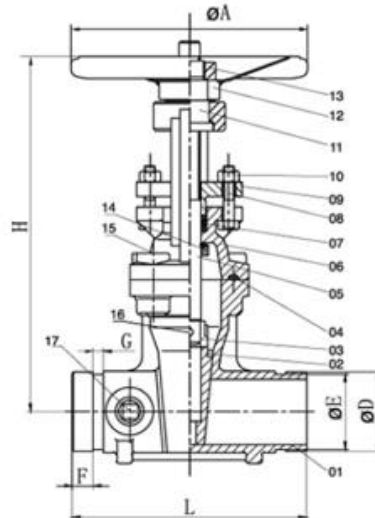
Range from ND50 up to ND300.
Full bore.
100% Tightness in both ways.
Minimum head loss.
Low torque values.
Epoxy paint 250 microns

WORKING CONDITIONS:

Pressure Ratings: 300PSI
Working Temperature: -10C +100C
Suitable Media: Water
Consult for other applications

STANDARDS:

Design: AWWA515
Groove Standard: Metric or AWWA C616
Pressure Test: EN 12266-1 Rate A.
EU directive 2014/68/EU



ITEM	2"	2-1/2"	3"	4"	5"	6"	8"	10"	12"
L	178	190	203	229	254	267	292	330	356
H	313	340	387	440	546	607	786	946	1110
φA	180	200	220	250	280	300	350	406	406
φD	60.3	76.1	88.9	114.3	141.3	168.3	219.1	273	323.9
φE	57.2	72.3	84.9	110	137	163.9	214.4	268.3	318.3
F	15.9	15.9	15.9	15.9	15.9	15.9	19	19	19
G	7.9	7.9	7.9	9.5	9.5	9.5	11.1	12.7	12.7

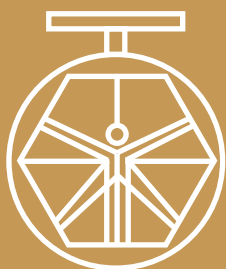
ITEM	PART	MATERIAL	ITEM	PART	MATERIAL	ITEM	PART	MATERIAL
1	Body	DI GJS450	7	Sealing Kits	Graphite	13	Lock Nut	Steel
2	Disc	DI GJS450 + EPDM	8	Bolts	Steel	14	Flat Key	S,Steel 416
3	Connecting part	ASTM B148	9	Platen	DI GJS450	15	Countersunk Head Bolt	Steel
4	Sealing Pad	EPDM	10	Bnut	Steel	16	Cylinder Pin	Steel
5	Stem	AISI304	11	Rotating Nut	C95400	17	Plug	C95400
6	Cap	GJS450	12	Handwheel	Steel			

All the components can be substituted with equivalent or higher-class materials.

DAVINCI VALVES LTD, is constantly looking at all ways of improving our products and services related to the water, fire and industry sector and therefore we reserve the right to change, without prior notice, any of the data contained here. Please contact our Technical Sales Department for detailed advice.
© 2018 DAVINCI VALVES LTD.

www.davincivalves.com info@davincivalves.com +34 616553797 / +86 17340168233
18 Dongyu Street, Square One 11th Floor 1101. Jinjiang District, Chengdu, Sichuan Province, China

"For professionals who wants more"



DAVINCI
VALVES™