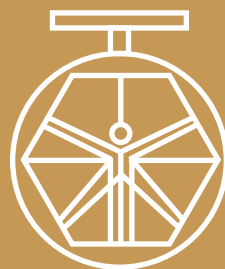


**GROUP 600
ACCESSORIES
MOD. 624/78**



**DAVINCI
VALVES™**

**TECHNICAL
DATA SHEET
WATER Series**

QUICK FLANGE ADAPTOR FOR PE/HDPE PIPES

**DAVINCI
VALVES™**



**QUALITY
ASSUREMENT**

**DAVINCI
VALVES™**



**PRODUCT QT
ASSUREMENT**

**DAVINCI
VALVES™**



**COMPANY QT
ASSUREMENT**

www.davincivalves.com

18 Dongyu Street, Square One,
11th Floor 1101, Jinjiang District,
Chengdu, Sichuan CHINA

10F/Tower A, Billion Center,
1 Wang Kwong Road, Kowloon Bay
Kowloon HONG KONG

QUICK FLANGE ADAPTOR FOR PE PIPE

Ref.624A / PN 10-16

APPLICATION:

Water, HVAC installations, irrigation, industry, others

WORKING CONDITIONS:

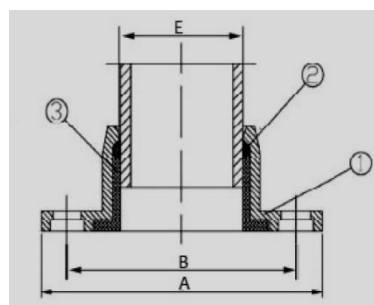
Working Temperature:
- 10 °C - + 120 °C. for EPDM
- 10 °C - + 82 °C. for NBR

GENERAL CHARACTERISTICS:

Size DN50 to DN400,
working pressure PN10/PN16
Powder Epoxy Cured coating 250 Mic

STANDARDS:

Comply with EN545
Pressure Test: EN 12266-1.
Body: 16 bar.
Flange EN1092-2 PN10/PN16



nº	PART	MATERIAL
1	BODY	DUCTIL IRON
2	GASKET	EPDM
3	RING	BRASS

SIZE	Pipe OD	A	B	E	Weight(kg)	
					PVC	HDPE
DN40	50	166	118	55	1.74	1.79
DN50/60	63	184	156	68	1.84	1.9
DN60/65	63	184	156	68	1.72	1.78
DN60/DN65	75	185	139	80	1.89	1.96
DN80	75	201	161	80	2.46	2.54
DN80	90	196	151	96	2.46	2.57
DN100	110	220	181	113	3.09	3.24
DN125	125	254	211	131	4.14	4.46
DN125	140	254	212	140	4.32	4.83
DN150	160	283	244	165	5.45	6.07
DN200	200	338	297	206	6.25	7.14
DN200	225	338	299	231	7.18	8.11
DN250	250	402	360	257	9.73	10.93
DN300	315	454	412	321	14.04	15.44
DN400	400	570	529	410	21.8	23.54

Please note dimension may vary at our discretion

All the components can be substituted with equivalent or higher-class materials.

DAVINCI VALVES LTD, is constantly looking at all ways of improving our products and services related to the water, fire and industry sector and therefore we reserve the right to change, without prior notice, any of the data contained here. Please contact our Technical Sales Department for detailed advice.
© 2018 DAVINCI VALVES LTD.

www.davincivalves.com info@davincivalves.com +34 616553797 / +86 17340168233
18 Dongyu Street, Square One 11th Floor 1101. Jinjiang District, Chengdu, Sichuan Province, China

"For professionals who wants more"



DAVINCI
VALVES™