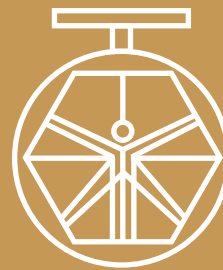


**GROUP 700  
BALL VALVES  
MOD. 743/134**



**DAVINCI  
VALVES™**

**TECHNICAL  
DATA SHEET**

**INDUSTRY Series**

**BALL VALVES BRASS THREAD END**

**DAVINCI  
VALVES™**



**QUALITY  
ASSUREMENT**

**DAVINCI  
VALVES™**



**PRODUCT QT  
ASSUREMENT**

**DAVINCI  
VALVES™**



**COMPANY QT  
ASSUREMENT**

[www.davincivalves.com](http://www.davincivalves.com)

18 Dongyu Street, Square One,  
11th Floor 1101, Jinjiang District,  
Chengdu, Sichuan CHINA

10F/Tower A, Billion Center,  
1 Wang Kwong Road, Kowloon Bay  
Kowloon HONG KONG

## BALL VALVE BRASS THREAD END

Ref.133.742

### APPLICATION:

natural gas, artificial gas, liquefied petroleum, Water, Oil

### WORKING CONDITIONS:

Pressure Ratings: PN16

Working Temperature: -20 °C

### GENERAL CHARACTERISTICS:

Threaded Ends according BSP&NPT

Blow Out Proof Stem

FULL BORE

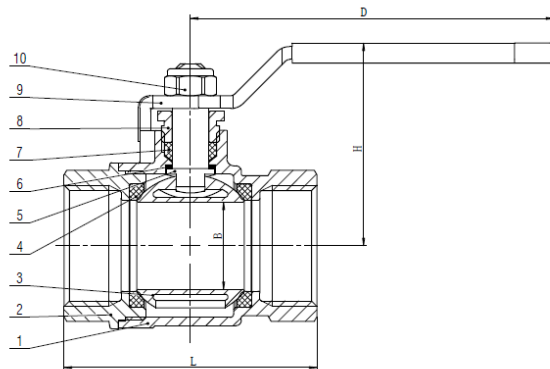
TWO O RINGS IN THE STEM

Body and ball CW617N Chrome plated for drinking water



Inch	DN	L(mm)	H (mm)	B (mm)	D(mm)
1/2"	15	44	52	13	95
3/4"	20	49	52	17	95
1"	25	62	60	21	103
1 1/4"	32	69	70	27	130
1 1/2"	40	81	77	32	130
2"	50	92	87	42	165
2 1/2"	65	121	124	62	240
3"	80	142	132	73	240
4"	100	167	145	90	240

NO.	Component	Material
1	Body	Brass
2	Cap	Brass
3	Ball	Brass
4	Ball seats	PTFE
5	Stem	Brass
6	Gasket	PTFE
7	Packing	PTFE
8	Compression ring	Brass
9	Handle	Steel
10	Nut	Steel



*Todos los componentes pueden ser sustituidos con materiales equivalentes o de clase superior.*

DAVINCI VALVES LTD, busca constantemente todas las formas de mejorar nuestros productos y servicios relacionados con el sector del agua, el fuego y la industria y, por lo tanto, nos reservamos el derecho de cambiar, sin previo aviso, cualquiera de los datos aquí contenidos. Póngase en contacto con nuestro departamento de ventas técnicas para obtener asesoramiento detallado.

© 2018 DAVINCI VALVES LTD.

www.davincivalves.com info@davincivalves.com +34 616553797 / +86 17340168233

*"For professionals who wants more"*



DAVINCI  
VALVES™